

DYNABREEZE

INDUSTRIAL QUALITY SINCE 1995

**300MM HEAVY DUTY
EXTRACTION FAN
WITH 5M DUCT**

FACTORY
3 YEAR
WARRANTY



MODEL FA-23280

Instruction User Manual & Warranty



CAUTION: Read the Assembly & Safety Instructions before operating and retain for future reference

Thank you & Congratulations on the purchase of your Dynabreeze 300mm Heavy Duty Extraction Fan with 5m Duct Combo

To find out more information on this product,
please visit www.dynabreeze.com.au or contact:

Tradeware

Address 46 Birrallee Rd, Regency Park SA 5010
Phone AU 1300 658 494 NZ 0800 689 960
Email info@tradeware.com.au
Website www.tradeware.com.au

SPECIFICATIONS

2 300MM INDUSTRIAL EXTRACTION FAN + 5M HOSE

	Fan	Duct
Model	FA-23280	
Voltage	240V	Length: 5 metres
Frequency	50Hz	
Motor Power	325W	
Max Speed	2850rpm	
Wind Pressure	373pa	Material: Flame-retardant PVC
Air Volume	65m ³ /min	
Diameter	300mm	
Product Weight	12.5kg	

OPERATION CONDITIONS & SAFETY PRECAUTIONS

WARNING: When using electrical appliances, basic safety precautions should be followed to reduce the risk of fire, electric shock and injury to persons or property.

- Ensure the product is operated from a power source of the same rating voltage, and frequency as indicated on the product identification plate.
- This product is intended for indoor use only.
- To avoid a hazard due to instability of the appliance, it must be placed on an even, flat surface.
- Do not operate this appliance with a damaged cord or plug or after the product has malfunctioned, been dropped or appears damaged in any manner.
- Before each use, check for any damaged parts, and have it replaced or repaired by the manufacturer or a qualified electrician.
- Connect to properly grounded power outlet only. No other appliance should be plugged into the same outlet.
- Do not run the power cord over heat insulators. Do not cover the cord. Keep cord away from traffic areas.
- Switch off and unplug the appliance before moving, cleaning or making any repairs or servicing.
- Keep safety guards/grilles in place and do not operate the machine with them removed.

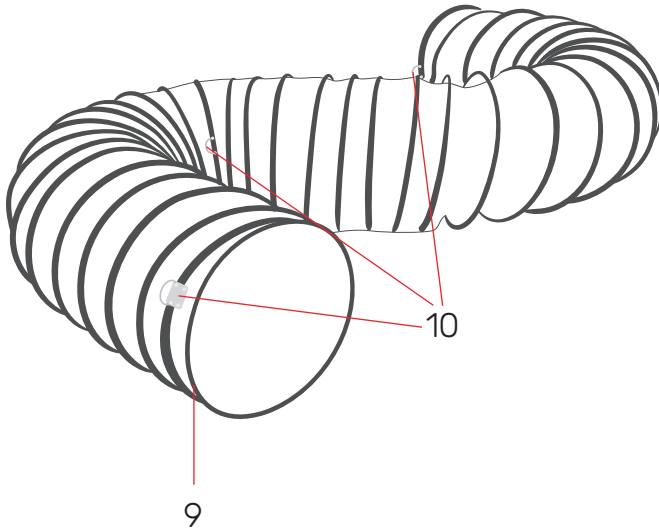
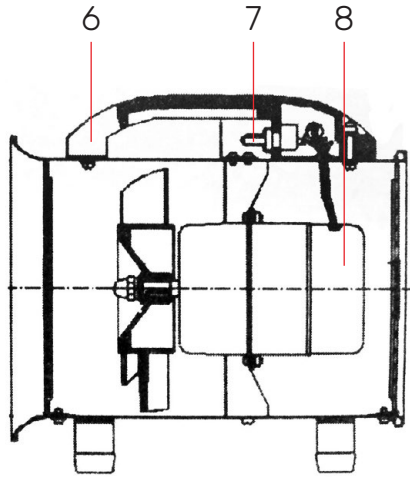
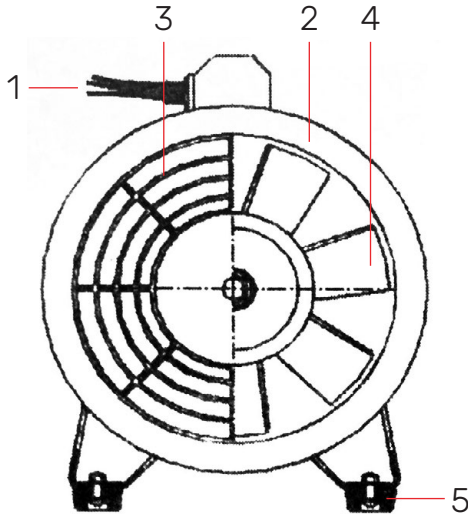
WARNING: Touching of moving blades can cause serious injury.

- Do not insert fingers or anything through the grille.
- Do not wear jewellery or loose clothing that could be caught by the rotating blades.
- Never leave the appliance running unattended, turn the power off.

WARNING: Exercise caution and use reasonable supervision when appliance is used near children to ensure that they do not play with the appliance.

- This appliance is not intended for use by persons (including children) with reduced physical, sensory or mental capabilities, or lack of experience and knowledge.
- Keep the area around the fan clear and suitable distance from objects that may be suctioned into the fan (e.g. curtains).
- Product should not be exposed to water/moisture or used in the immediate vicinity of water (e.g. baths, swimming pools etc.) where risk of immersion or splashing can occur and cause product damage or electrocution.

PARTS IDENTIFICATION



- 1 Power Cord
- 2 Steel Body
- 3 Safety Grille
- 4 Fan Blades
- 5 Rubber Feet
- 6 Carry Handle
- 7 On/Off Switch
- 8 Electric Motor
- 9 Securing Strap
- 10 Hanging Points

ASSEMBLY & OPERATION

- Unpack the fan and duct from the box and recycle the packaging if possible.
- Check that all parts are attached and nothing is damaged or broken. If you require assistance, please call our help desk.
- Read and follow the manual. Adhere to all safety precautions.

Using the fan and duct:

Attaching the included duct ducting to the fan will allow you to extract contaminated air or supply fresh air into confined spaces.

- Untie the cord that is holding the duct compressed.
- Fully extend the duct from fan to position where you want to extract/blow air to.
- If required, use the hanging points along the duct to assist fixing duct into position.
- Place duct over either end of fan (front outlet for supplying fresh air, or back inlet for extracting air).
- Tighten buckle on strap to secure duct to fan.

NOTE: Using the duct will reduce max airflow by 5-15 CFM.

WARNING: Is it the responsibility of the user to ensure correct airflow/ventilation will be supplied to the working environment and ensure duct is positioned according to all safety codes. In no case should the blower be operated inside the confined area that is to be ventilated.

OPERATION

Place fan into position and setup duct if required.

- Plug the power cable into a suitable power outlet and switch on the power outlet.
- Turn on the fan using ON/OFF switch located under the carry handle.
- Once complete, turn off the fan using the same ON/OFF switch under the carry handle. Also turn off power at the power outlet.
- Ensure fan has cooled down prior to repacking after use.

Moving and Duct Adjustments

Ensure unit is turned off from outlet and blades have stopped moving prior to moving fan or making any adjustments.

MAINTENANCE & CARE

- Before each use, check the fan and cable for damage.
- To clean the fan, switch off and unplug from the power outlet prior to disassembling the fan.
- The blade and grille should be cleaned using mild detergent and a damp soft cloth. Ensure no water goes into the motor.
- Do not use harsh detergents, chemical cleaners or solvents as this will damage the finish.
- When no longer using the fan, please repack into carton and store in a dry place out of the sun. Be careful not to damage the fan.

SERVICE OR REPAIR

- To ensure prolonged safe use, ensure you have the product inspected and moving parts lubricated by a qualified person regularly.
- If cord or plug damage is detected, do not use. A licensed electrician is required to repair or replace the cord or plug.
- Any other repairs or maintenance must be performed by a qualified person.

WARRANTY

Under the Australian Consumer Law (ACL) or NZ Consumer Guarantees Act (CGA), you are entitled to a 12 month replacement or refund for product failure and compensation for any other reasonably foreseeable loss or damage.

Tradeware offers a 3 Year Warranty. The additional warranties, terms and conditions are outlined on the website www.dynabreeze.com.au under the Support tab.

Under Support you can also **Register your product** upon purchase and enjoy the peace of mind of knowing your product is registered should anything happen.

If the unit fails to operate efficiently, is broken or other problems arise, unplug and do not operate. Ask for advice by calling Tradeware.

To Claim, the fan should be returned to the place of purchase or via the website within the warranty period.

Such claims must include:

- Details of the alleged defect or fault;
- Evidence of the claim; and
- Proof of purchase documentation which clearly shows the date and place of purchase.

Please visit www.dynabreeze.com.au for more details



Tradeware

Tradeware

46 Birralee Road, Regency Park

South Australia 5010

info@tradeware.com.au

1300 658 494

www.tradeware.com.au

Due to continual product development, please note the information and content provided may not be final and may be subject to changes.

